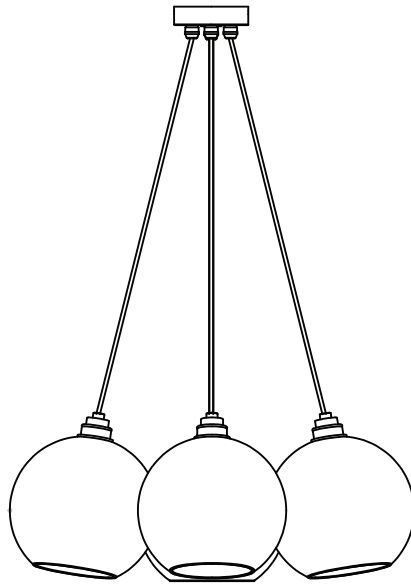


WHAT IS A DISH CLUSTER?

A dish cluster is a type of chandelier in which each pendant comes out of a plate or ball at the same length. The shades sit touching each other which makes them form a 'dish' shape. See an example below :



RECOMMENDED PLACEMENT

- Central pendants
- Over island units or dining tables
- Wider entrance halls

CLUSTER DROP

Our standard dish clusters (3 & 7 Way) come with a metre of flex that can be adjusted on site. We would recommend a minimum total drop of 500mm. However we can also make bigger dish clusters (13 & 19 Way) to fit your space. The drop can be as long as you need it to be.

CLEARANCE

We recommend a clearance (floor to bottom of shade) of at least 2100mm if you are walking underneath it, and 1750mm over a table/island.

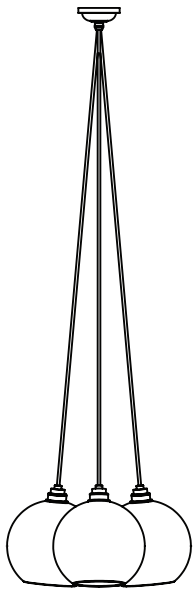
INFORMATION WE NEED

- Floor to ceiling height
- Is your ceiling flat or pitched - If so at what angle
- Table/Island dimensions (if going over table/island)

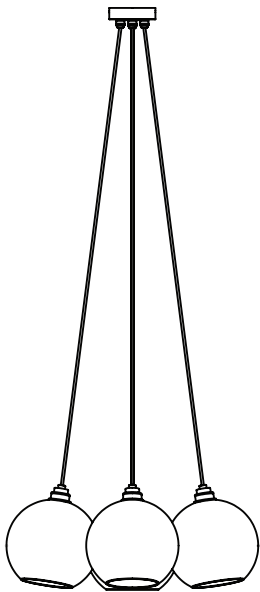
CLUSTER SIZES

All of our clusters can come in different sizes. From a 3 Way to a 39 Way we can recommend a size that would be suitable for your space. Below are our most standard sizes :

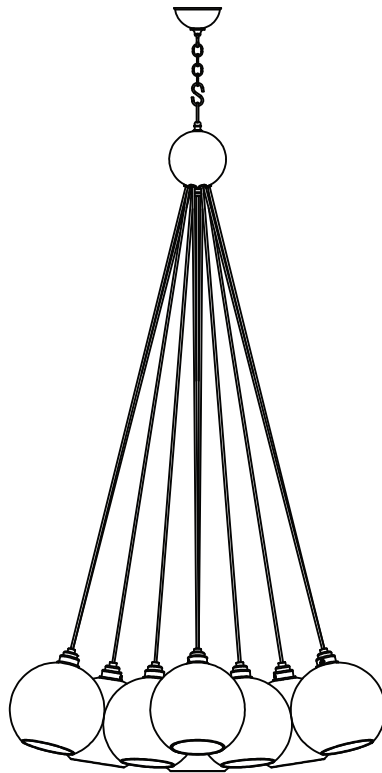
3 WAY



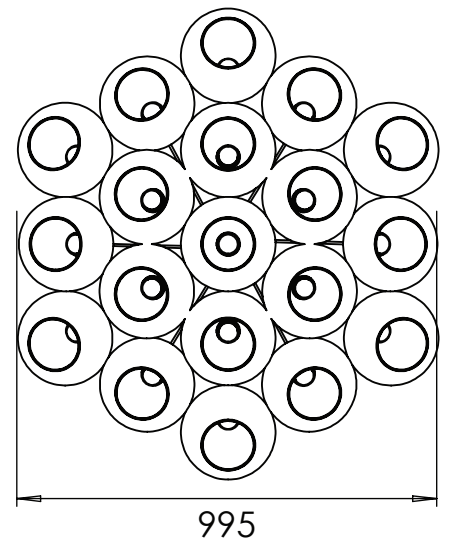
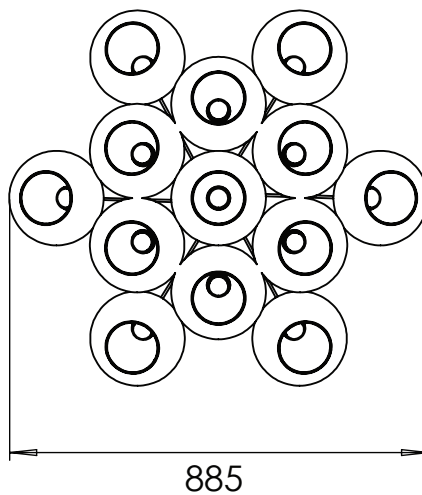
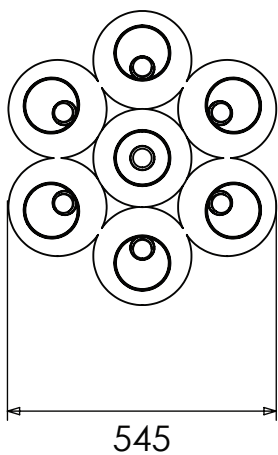
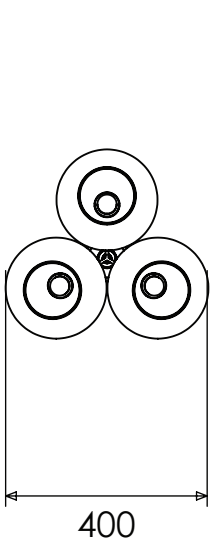
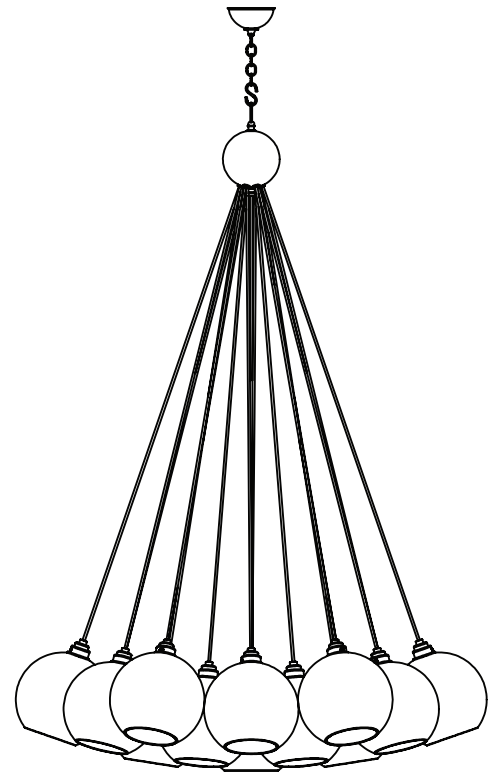
7 WAY



13 WAY



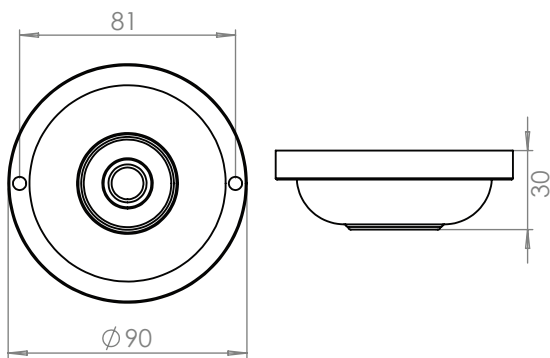
19 WAY



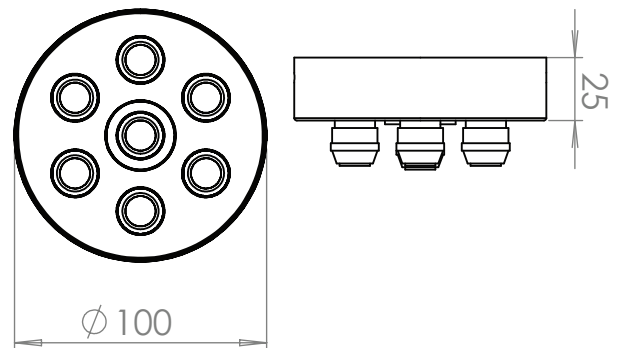
**The shade shown here is the Large Hereford, it is also available with the Ledbury, Upton and Wellington shapes. In the medium, large and extra large sizes.*

STANDARD CEILING PLATES

Our 3 way dish clusters are supplied with our standard 90mm contemporary ceiling plate. Which is secured via two fixing holes spaced 81mm apart.



Our 7 way dish clusters are supplied with a 100mm ceiling plate. This includes a metal strap that is screwed to the ceiling. The wiring goes inside the plate and then it is secured to the fixing strap with two screws located on the side.

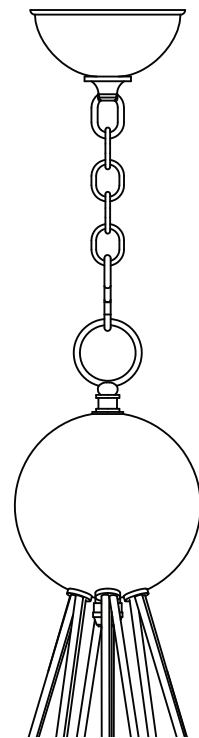


BALL & CHAIN SUSPENSION

If you have a very long drop or are going for one of our larger sized dish clusters (13 or 19 Way) then it will be suspended from a ball and chain. We can also do this on the smaller dishes if you like the style.

This fitting includes a push up and shroud style ceiling plate. There is a metal strap inside the ceiling plate which is screwed to the ceiling. Then once the electrical connection is made the half ball is pushed up and secured with a brass ring.

The flex below the ball on this cluster cannot be altered as it is wired inside the ball, however, the flex and chain above the ball is adjustable.



**We always recommend installing your dish cluster on to a joist or on a reinforced ceiling.*