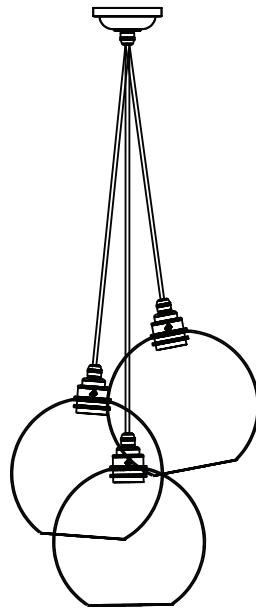


WHAT IS A STAGGERED CLUSTER?

A staggered cluster is a type of chandelier in which each pendant comes out of a plate or ball at varying lengths. The shades sit touching each other or the flex which makes them form a cascading effect. See an example below :

**RECOMMENDED PLACEMENT**

- Entrance halls
- Central pendants
- Narrow/Spiral stairwells
- Over smaller tables i.e coffee tables or small dining tables

CLUSTER DROP

Our standard staggered clusters (3 & 5 Way) come with a metre of flex, on each feed, that can be adjusted on site. We would recommend a minimum total drop of 700mm for a 3 way and 1200mm for a 5 way. We can also make bigger staggered clusters to fit your space. This means that the drop can be as long as you need it to be.

CLEARANCE

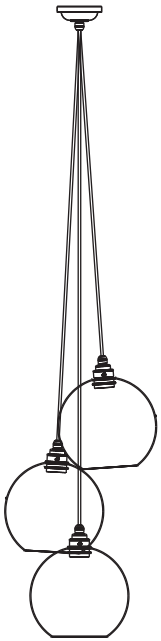
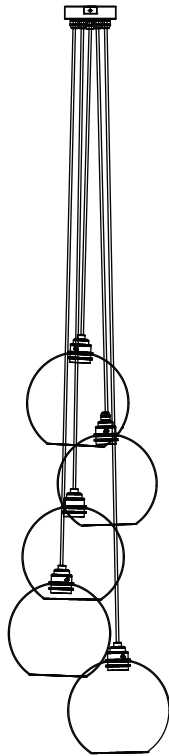
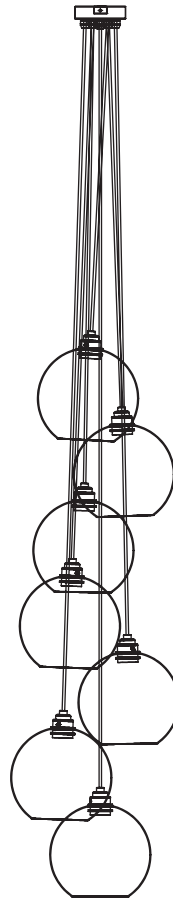
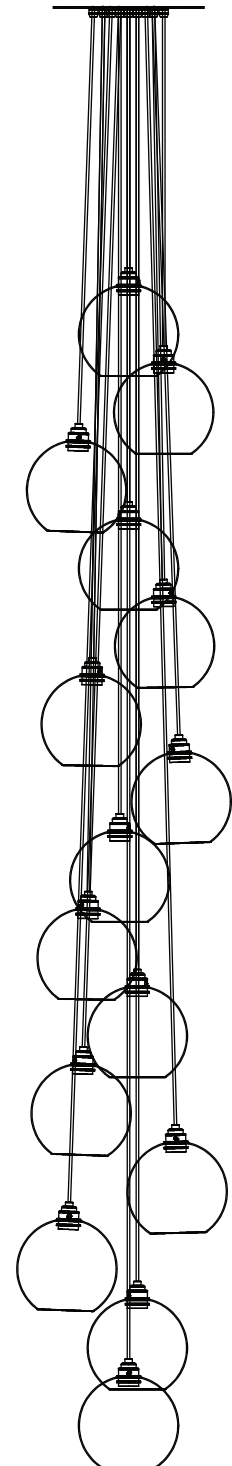
We recommend a clearance (floor to bottom of shade) of at least 2100mm if you are walking underneath it, and 1750mm over a table/island.

INFORMATION WE NEED

- Floor to ceiling height
- Is your ceiling flat or pitched - If so at what angle
- Table/Island dimensions (if going over table/island)

CLUSTER SIZES

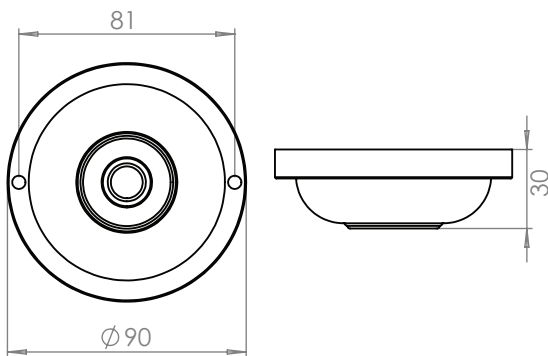
All of our clusters can come in different sizes. From a 3 Way to a 39 Way we can recommend a size that would be suitable for your space. Below are our most standard sizes :

3 WAY**5 WAY****7 WAY****15 WAY**

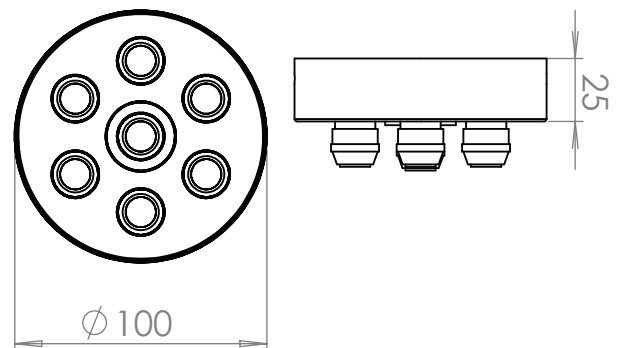
**The shade shown here is the Large Hereford, it is also available with the Ledbury, Upton, Pixley and Wellington shapes. In the extra small, medium, large and extra large sizes.*

STANDARD CEILING PLATES

Our 3 way staggered clusters are supplied with our standard 90mm contemporary ceiling plate. Which is secured via two fixing holes spaced 81mm apart.



Our 7 way staggered clusters are supplied with a 100mm ceiling plate. This includes a metal strap that is screwed to the ceiling. The wiring goes inside the plate and then it is secured to the fixing strap with two screws located on the side.

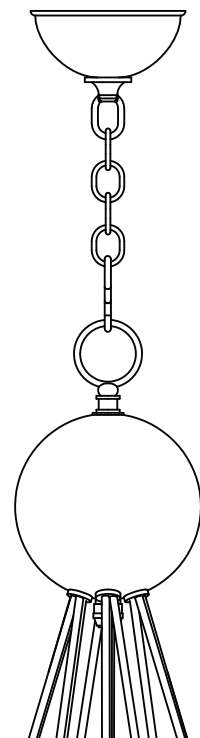


BALL & CHAIN SUSPENSION

If you have a very long drop or are going for one of our larger sized staggered clusters then it will be suspended from a ball and chain.

This fitting includes a push up and shroud style ceiling plate. There is a metal strap inside the ceiling plate which is screwed to the ceiling. Then once the electrical connection is made the half ball is pushed up and screwed with a brass ring.

The flex below the ball on this cluster cannot be altered as it is wired inside the ball, however, the flex and chain above the ball is adjustable.

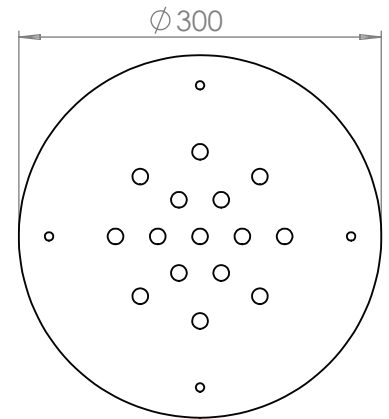


**We always recommend installing your staggered cluster on to a joist or on a reinforced ceiling.*

FLUSH-TO-CEILING SUSPENSION

For the bigger sized clusters we offer a flush to ceiling fitting. This allows more shades to fit on the cluster. The one shown on the right is our standard size for a 15 way cluster.

- A void will need to be formed in the plasterboard ceiling
- Each pendant is preset to a specified length, above the plate are the tail ends for each feed.
- Your electrician will need to supply and fit a connector box to connect all these feeds to your main supply.
- Conceal all the excess flex into the void.
- Screw the plate to the joists via the fixing holes.
- Put light bulbs in and test.



BALL & HIGH TENSILE SUSPENSION

If you have a stairwell with a lantern/skylight there is no ceiling to suspend the light from, we can use high tensile wire to suspend a ball.

This works the same way as our standard ball and chain suspension where the flex below the ball is not adjustable but the high tensile and flex above the ball can be altered on site.

The four high tensiles will be screwed directly into the walls of the lantern and the flex will wrap around one of the wires to connect to the electrical point.

